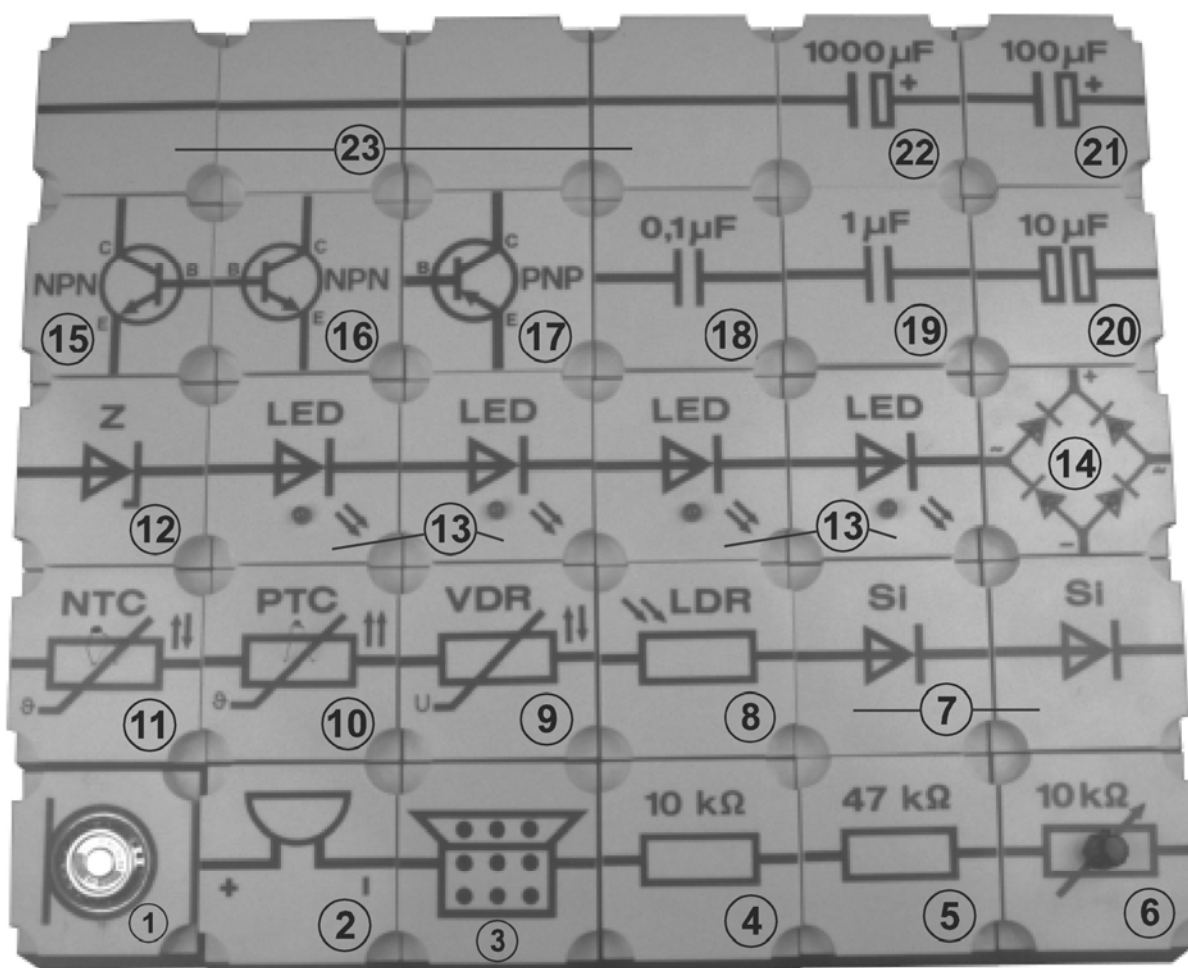


DE900-4A DZS Elektronika 1**ELEKTRONIK I BOX 4 DE900-4A**

1	P3921-2C	1	Mikrofonbaustein
2	DE921-2A	1	STBD Summer
3	DE921-2B	1	STBD Lautsprecher
4	DE920-3R	1	STBD Widerstand 10 kΩ
5	DE920-3U	1	STBD Widerstand 47 kΩ
6	DE920-3T	1	STBD Drehwiderstand 10 kΩ
7	DE920-7A	2	STBD Si-Diode
8	DE920-4J	1	STBD LDR
9	DE920-4K	1	STBD VDR
10	DE920-4E	1	STBD PTC
11	DE920-4A	1	STBD NTC
12	DE920-7E	1	STBD Z-Diode
13	DE920-7K	4	STBD LED
14	DE920-7T	1	STBD Brückengleichrichter
15	DE920-8B	1	STBD Transistor NPN, Basis rechts
16	DE920-8A	1	STBD Transistor NPN, Basis links
17	DE920-8C	1	STBD Transistor PNP
18	DE920-6D	1	STBD Kondensator 0,1 μF
19	DE920-6G	1	STBD Kondensator 1 μF
20	DE920-6J	1	STBD Kondensator 10 μF
21	DE920-6N	1	STBD Kondensator 100 μF
22	DE920-6Q	1	STBD Kondensator 1000 μF
23	DE920-1C	4	STBD Leitung gerade

ELECTRONIC I BOX 4 DE900-4A

1	P3921-2C	1	microphone building block
2	DE921-2A	1	PIBD buzzer
3	DE921-2B	1	PIBD loud speaker
4	DE920-3R	1	PIBD resistor 10 kΩ
5	DE920-3U	1	PIBD resistor 47 kΩ
6	DE920-3T	1	PIBD rheostat 10 kΩ
7	DE920-7A	2	PIBD Si-diode
8	DE920-4J	1	PIBD photo resistor
9	DE920-4K	1	PIBD varistor
10	DE920-4E	1	PIBD resistor PTC
11	DE920-4A	1	PIBD resistor NTC
12	DE920-7E	1	PIBD Zener diode
13	DE920-7K	4	PIBD luminescent diode, red
14	DE920-7T	1	PIBD bridge rectifier
15	DE920-8B	1	PIBD transistor NPN, base right
16	DE920-8A	1	PIBD transistor NPN, base left
17	DE920-8C	1	PIBD transistor PNP
18	DE920-6D	1	PIBD capacitor 0,1 μF
19	DE920-6G	1	PIBD capacitor 1 μF
20	DE920-6J	1	PIBD electrolyt capacitor bipolar 10 μF
21	DE920-6N	1	PIBD electrolyt capacitor 100 μF
22	DE920-6Q	1	PIBD electrolyt capacitor 1000 μF
23	DE920-1C	4	PIBD wire, straight